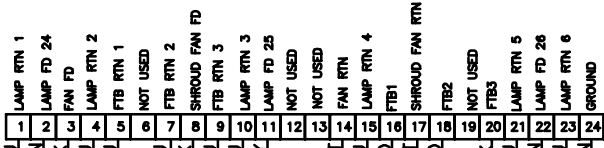


P2
24847-01

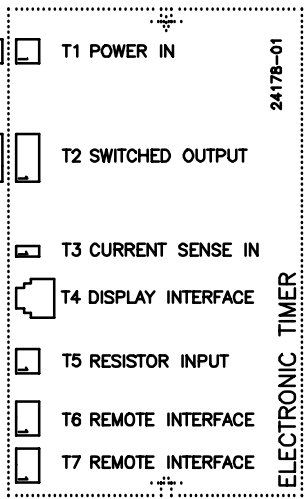
TO BALLAST
24 - 26

(A)



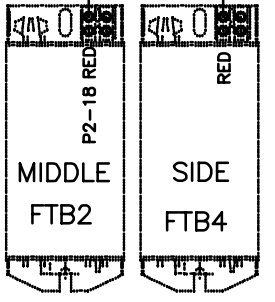
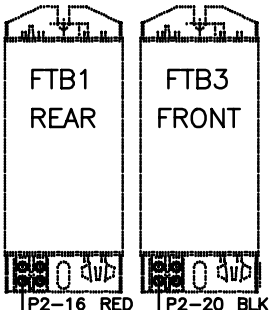
24865-01, REV A UPPER LEVEL TRAY 52 LAMP UNIT WIRE DIAGRAMS

FRAME GROUND

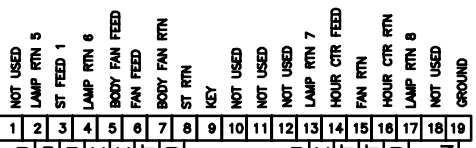


24873-01

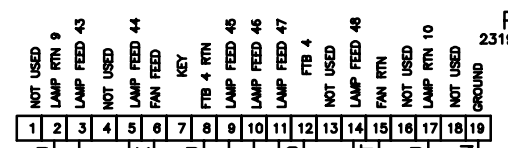
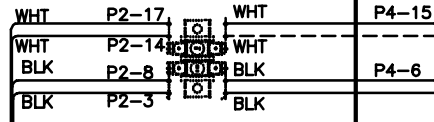
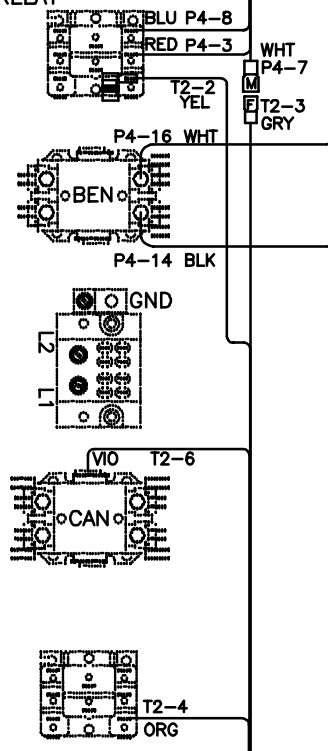
23335-01



P4
23197-01



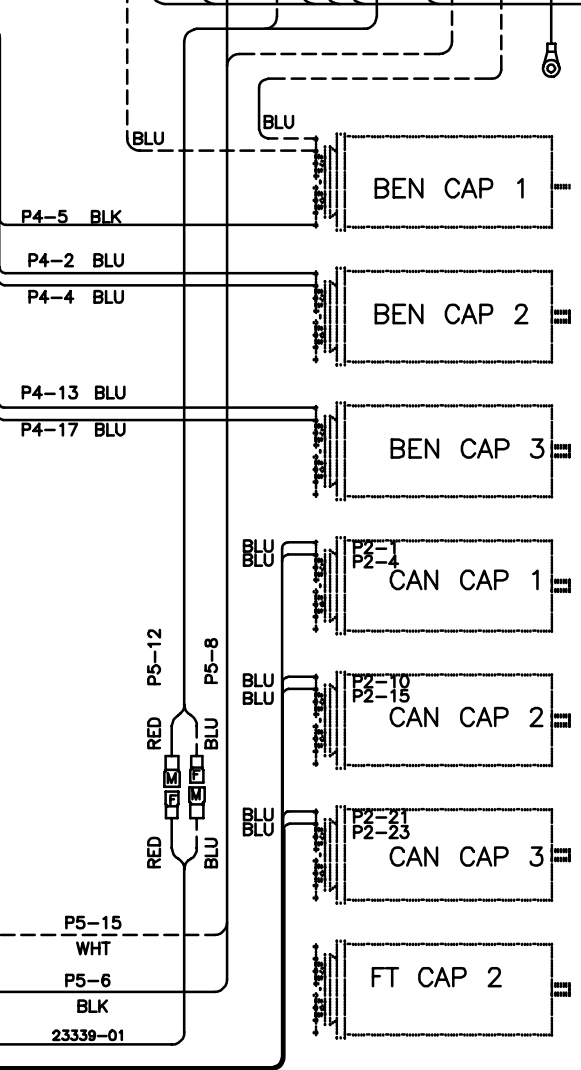
SHOULDER TANNER (ST) RELAY



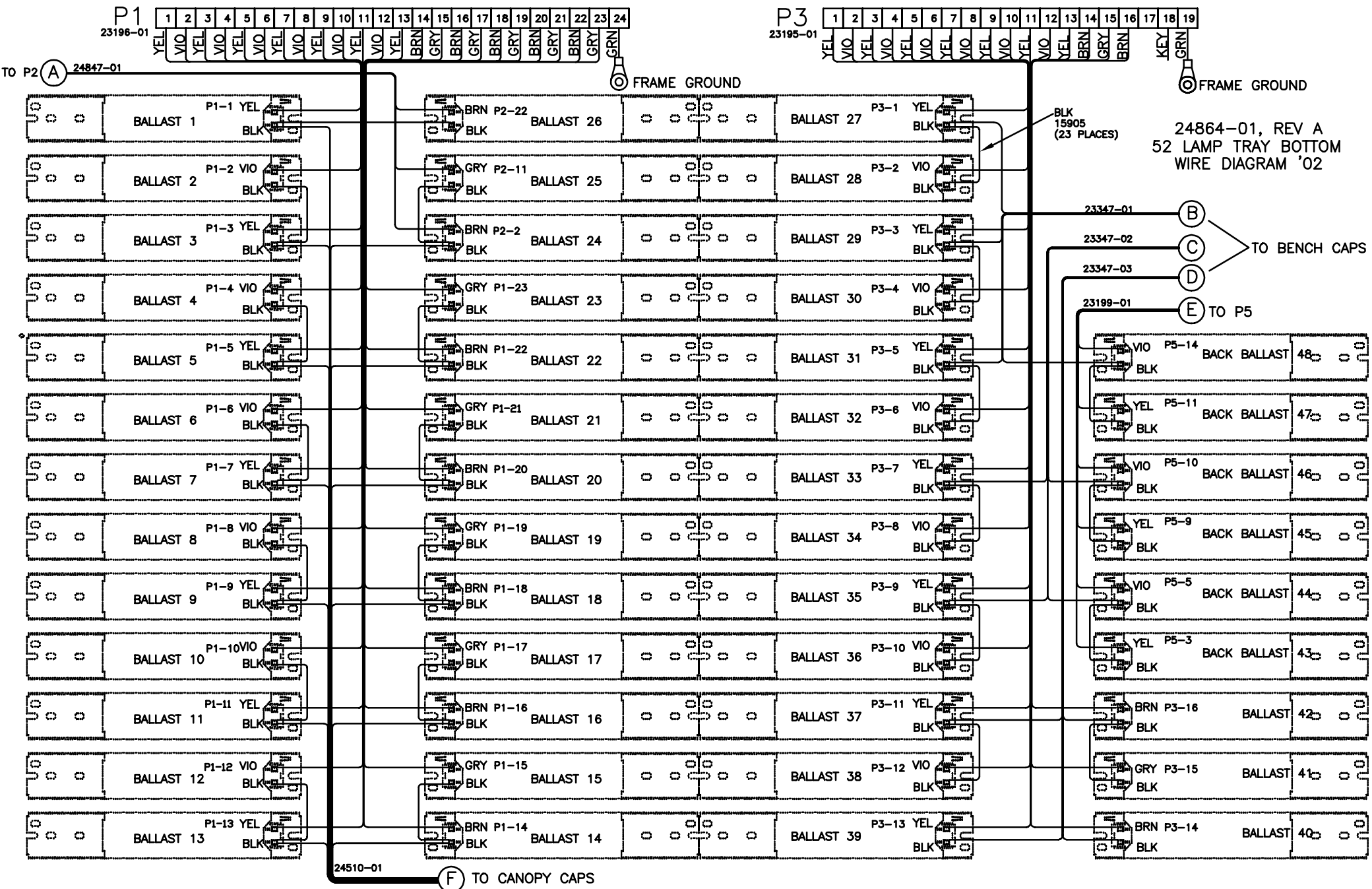
P5
23199-01

TO BALLAST 43 - 48

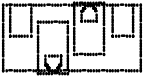
(E)



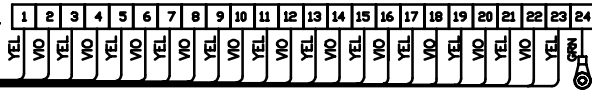
WARNING: ALTERING THE DESIGN, TIMER SYSTEM, OR WIRING FROM THAT SHOWN HEREIN, WILL VOID THE WARRANTY, AND MAY RESULT IN A VIOLATION OF FEDERAL LAW.



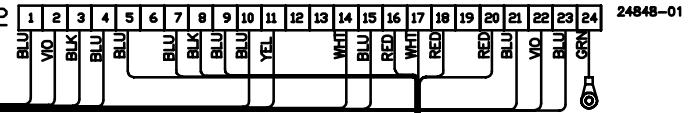
TO TIMER
24286-01



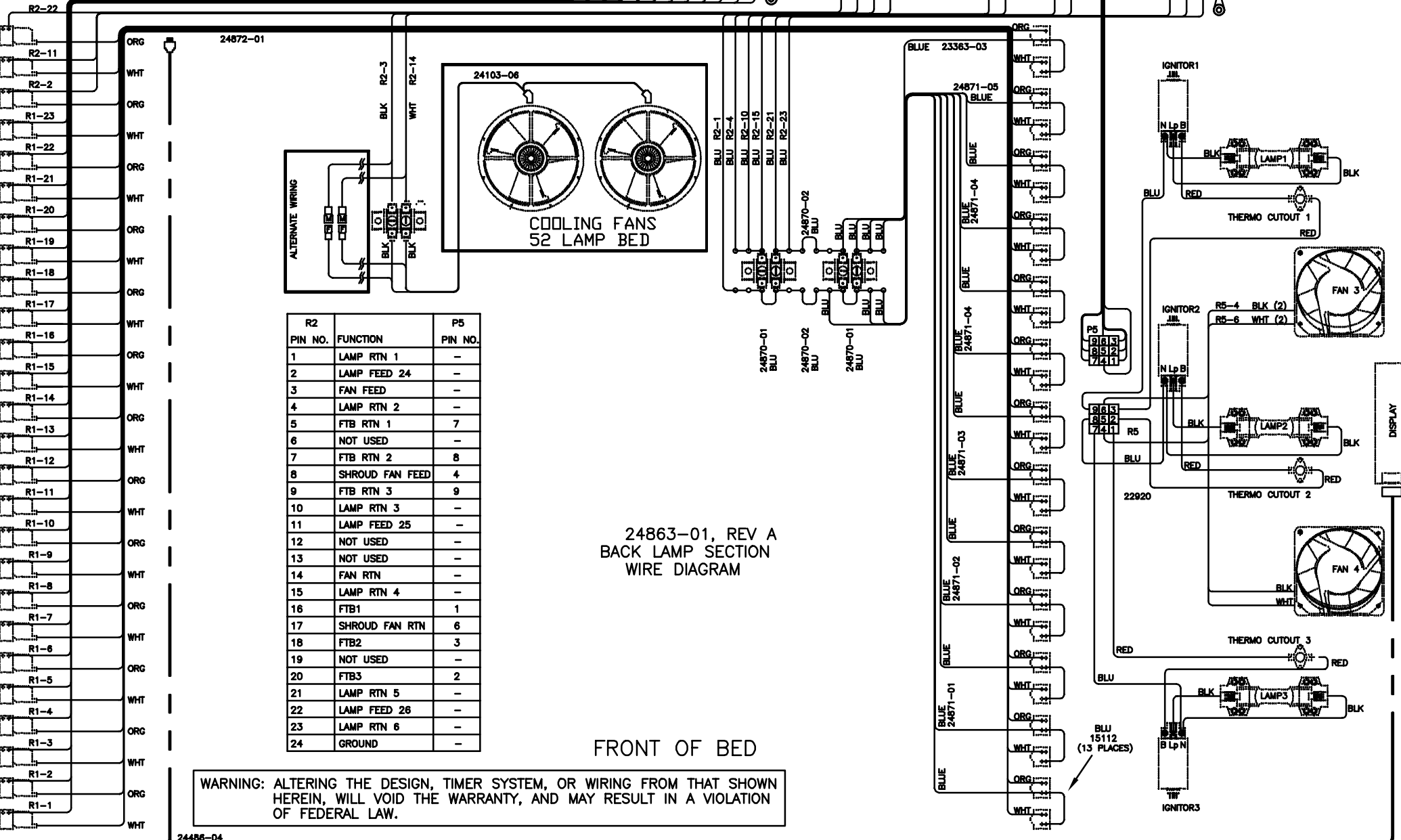
R1
23361-01



R2



24848-01



R2 PIN NO.	FUNCTION	P5 PIN NO.
1	LAMP RTN 1	-
2	LAMP FEED 24	-
3	FAN FEED	-
4	LAMP RTN 2	-
5	FTB RTN 1	7
6	NOT USED	-
7	FTB RTN 2	8
8	SHROUD FAN FEED	4
9	FTB RTN 3	9
10	LAMP RTN 3	-
11	LAMP FEED 25	-
12	NOT USED	-
13	NOT USED	-
14	FAN RTN	-
15	LAMP RTN 4	-
16	FTB1	1
17	SHROUD FAN RTN	6
18	FTB2	3
19	NOT USED	-
20	FTB3	2
21	LAMP RTN 5	-
22	LAMP FEED 26	-
23	LAMP RTN 6	-
24	GROUND	-

24863-01, REV A
BACK LAMP SECTION
WIRE DIAGRAM

FRONT OF BED

WARNING: ALTERING THE DESIGN, TIMER SYSTEM, OR WIRING FROM THAT SHOWN HEREIN, WILL VOID THE WARRANTY, AND MAY RESULT IN A VIOLATION OF FEDERAL LAW.